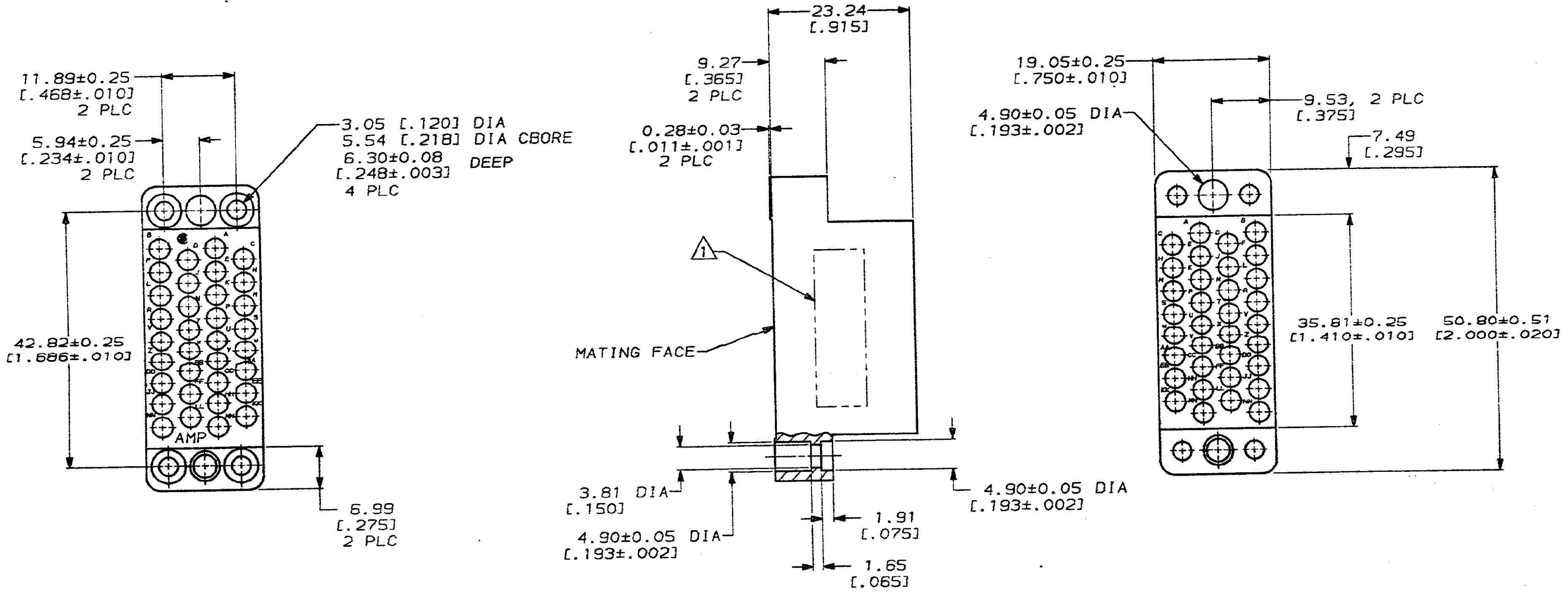


DRAWING MADE IN THIRD ANGLE PROJECTION

THIS DRAWING IS UNPUBLISHED. RELEASED FOR PUBLICATION .19

© COPYRIGHT 19 BY AMP INCORPORATED. ALL INTERNATIONAL RIGHTS RESERVED.

REVISE		DATE		DESCRIPTION		DATE	APPD
4	BD	36		0	RELEASED	01/21/91	-
				A	ADDED -2, NPR 4228	06/15/92	SK



1 213294-2 MARKED AT THIS APPROX LOCATION ON EITHER SIDE, SEE TABLE.

1	213294-2
-	213294-1
MARKING	PART NO

DO NOT SCALE PRINT. UNLESS SPECIFIED DIMENSIONS IN mm (INCHES) TOLERANCES ON: 2 PLC DEC ± 0.13 [0.005] 3 PLC DEC ± - ANGLES ± - MATERIAL PHENOLIC PER MIL-M-14, TYPE CFG, BLACK FINISH -	DR 01/21/91 L. SIPE	AMP AMP Incorporated Harrisburg, PA 17105-3608		
	CHK 1-25-91 W G LENKER			NAME PLUG HOUSING, 34 POSN, MODIFIED, M SERIES
	APPD 1-28-92 R WALTER	APPD 1-31-91 W T PARKER	SIZE C 00779	DRAWING NO 213294
	PRODUCT SPEC -	APPLICATION SPEC -	SCALE 2:1	SHEET 1 OF 1

CUSTOMER DRAWING